

# Antenna, Whip

## ERF4051

### Description

The ERF4051 antenna is a black 868 MHz antenna with a SMA (Male) connector. The antenna can also be used in the frequency range of 840 ~ 886 MHz / 1140 ~ 1330 MHz / 2500 ~ 2560 MHz . The antenna can be used for applications , such as M2M, IoT , GSM and more.

### Technology

- Bluetooth
- WiFi
- LTE / CAT-M
- NB-IoT
- GSM



### Features

Electrical Properties	Description		
Frequency marker	Frequency band MHz	Return loss dB	V.S.W.R.
1	800	-12.2	< 1.6
2	915	-10.1	< 1.9
3	2.400	-8.4	< 2.2
Nominal Impedance	50 Ω		
Polarization	Linear		

Mechanical Properties	Description
Antenna	External Stubby Antenna
Mounting	Screw Type
Connector	SMA (Male)

# Antenna, Whip

## ERF4051

### Dimensions

54.4 ± 1.5 mm

### Color

Black

### Operating Temperature

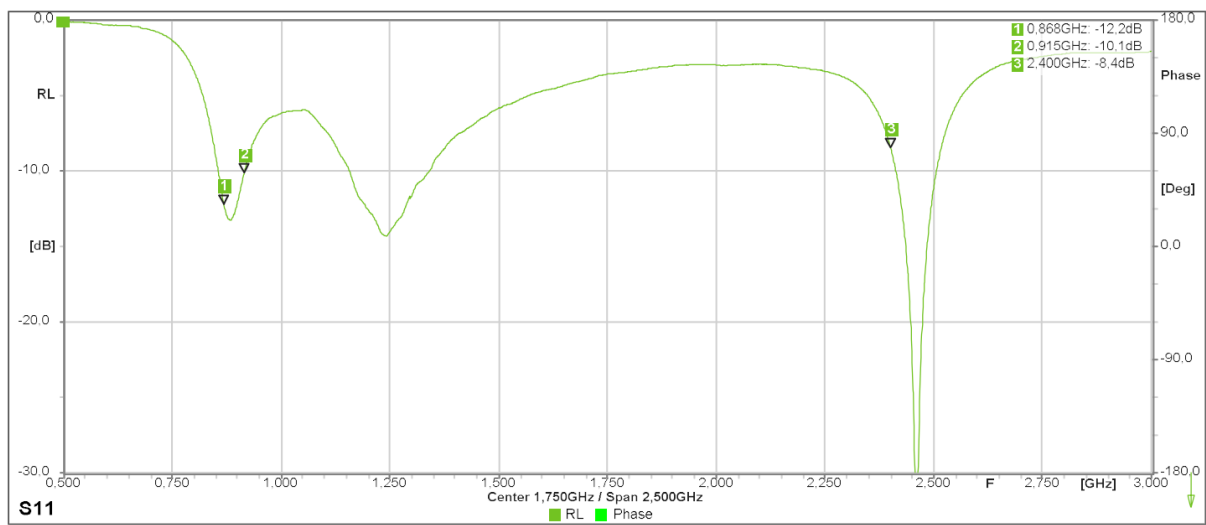
-40°C~+85°C

### Storage Temperature

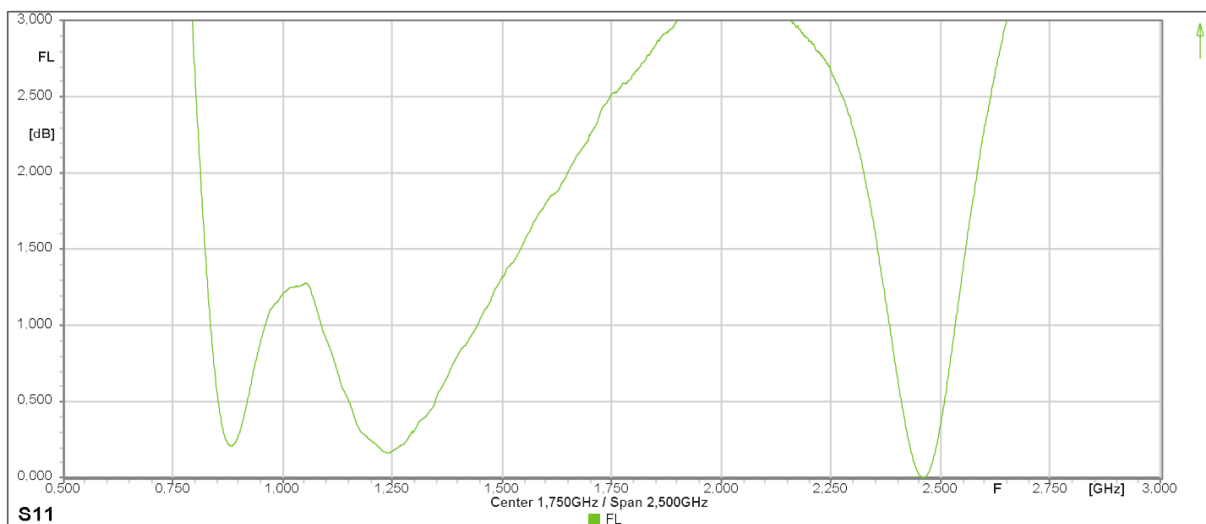
-40°C~+85°C

## Antenna properties

### Return Loss



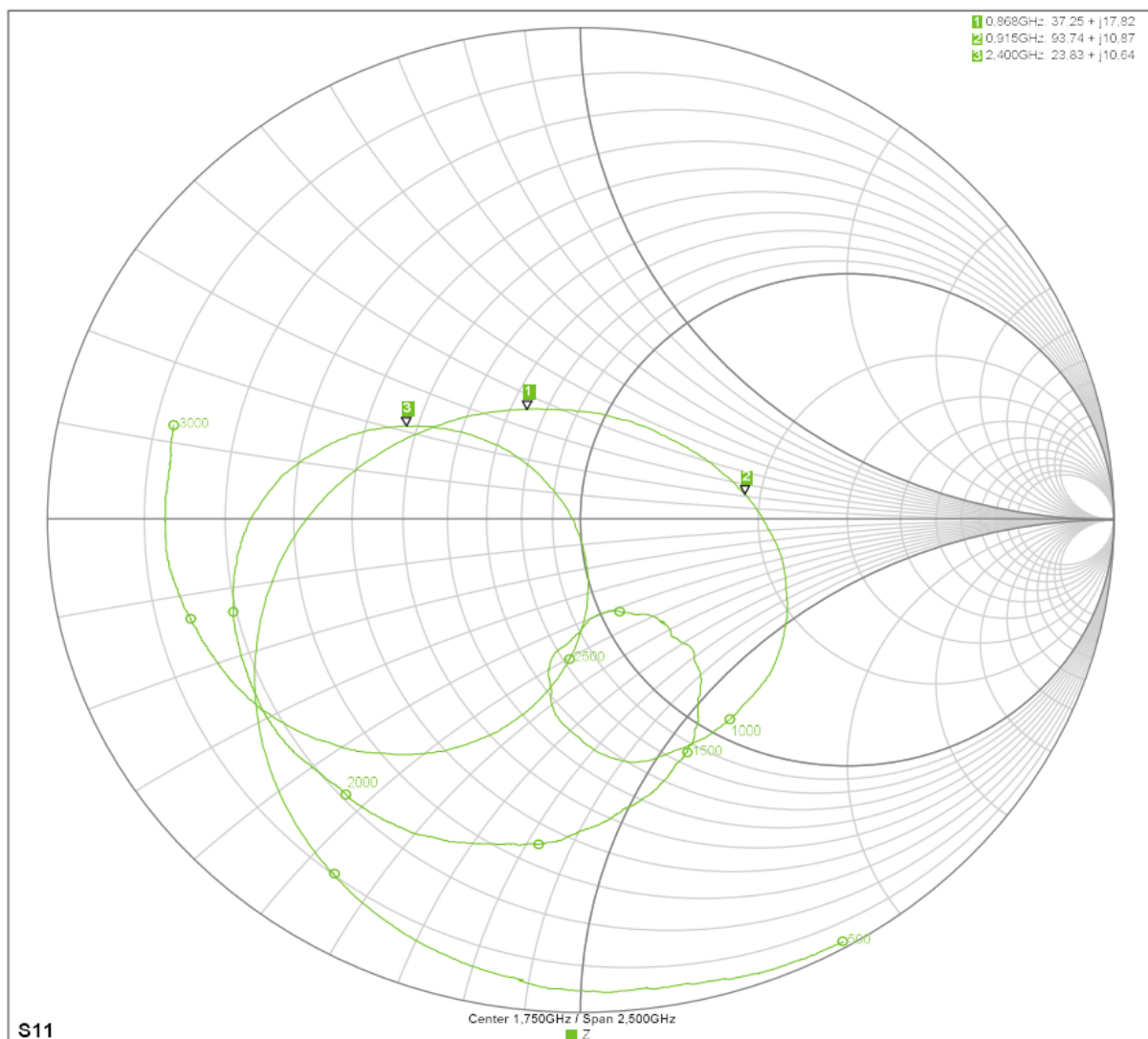
### Forward Loss



# Antenna, Whip

## ERF4051

### Impedance

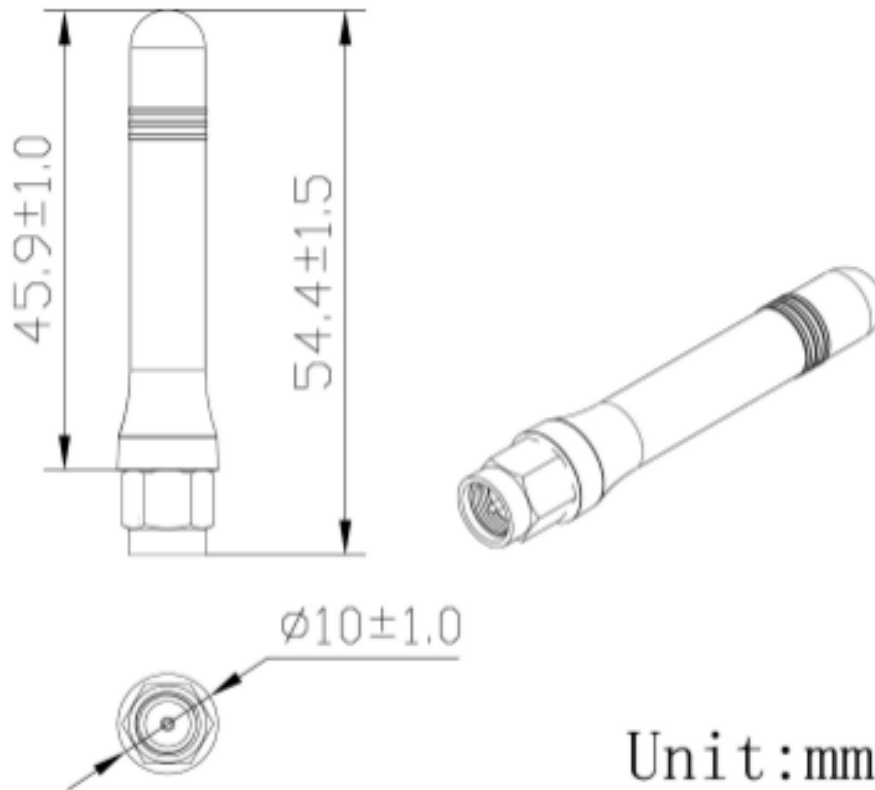


### Dimensions

\*unit: mm

# Antenna, Whip

ERF4051



## Ordering information

Ordering can be done via [www.summit-electronics.com](http://www.summit-electronics.com) or via [info@summit-electronics.com](mailto:info@summit-electronics.com). Please contact us for more information. Customisation of the product is available on request.

## Technical support

For all product questions please contact us via [info@summit-electronics.com](mailto:info@summit-electronics.com)

## Document revision

Rev	Date	changes
V01.00	06-04-2023	First issue of document